
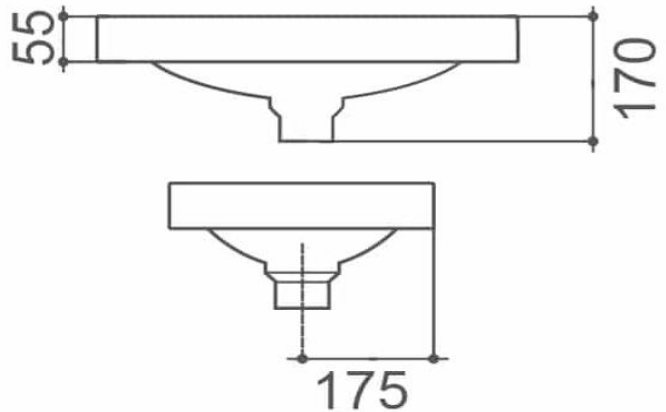
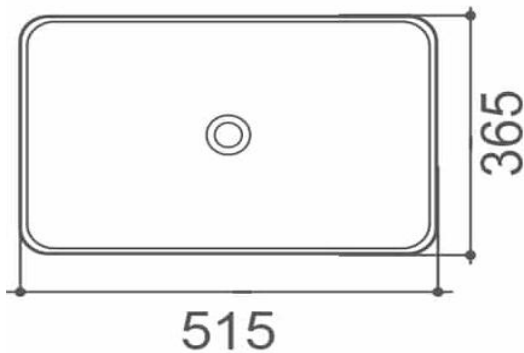


REAGAN

 Gloss White
WB 5237A



SPECIFICATIONS



MATERIAL: Vitreous China

CAPACITY: 10L

MEASUREMENTS: 515 x 365 x 170mm 8.5KG

WASTE: Use 32mm with Overflow Waste (Not Supplied)

CLEANING & MAINTENANCE:

Basins should be cleaned with mild detergent and water

Avoid using metal scourers, waxes, solvents, abrasives, acids and other chemical based cleaners

Warranty will be void if damages are caused by unsuitable cleaning products

WARRANTY INFORMATION:

Ceramic Basins have a 15 year replacement parts or complete product warranty

All products have a full 1 year in house labour warranty from date of purchase

Measurements subject to change due to manufacturing variations. Always use the actual basin to verify cut out

ZENMO
Zen-inspired, Modern Living

ADDRESS: 42 Castro Way, Derrimut VIC 3026

PHONE: (03) 8390 6300

OFFICE: ect_sales@outlook.com

SERVICE: ect_service@outlook.com

WEBSITE: www.zenmo.com.au